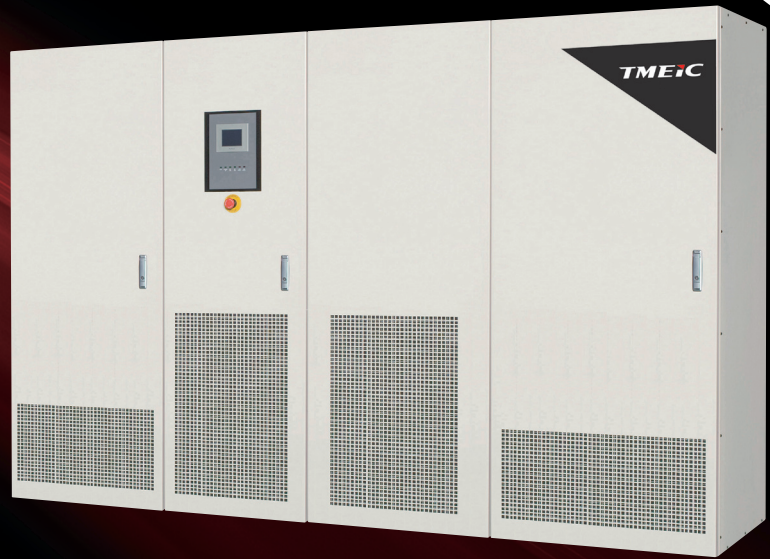


SOLAR WARE 1000

TMEiC
We drive industry

Large Scale PV Inverter PVL-L1000E



The Advanced Multi-level Inverter

SOLAR WARE™ 1000 redefines the PV utility scale solar inverter solution in reliability, efficiency and productivity. TMEiC sets the standard of utility scale installation with its own proprietary and the most advanced multi-level inverter system which brings flat efficiency characteristics providing huge benefit to high DC/AC ratio.

Featuring compact footprint

With this advanced inverter design, the size has also been significantly reduced, achieving the smallest 1000kW inverter.

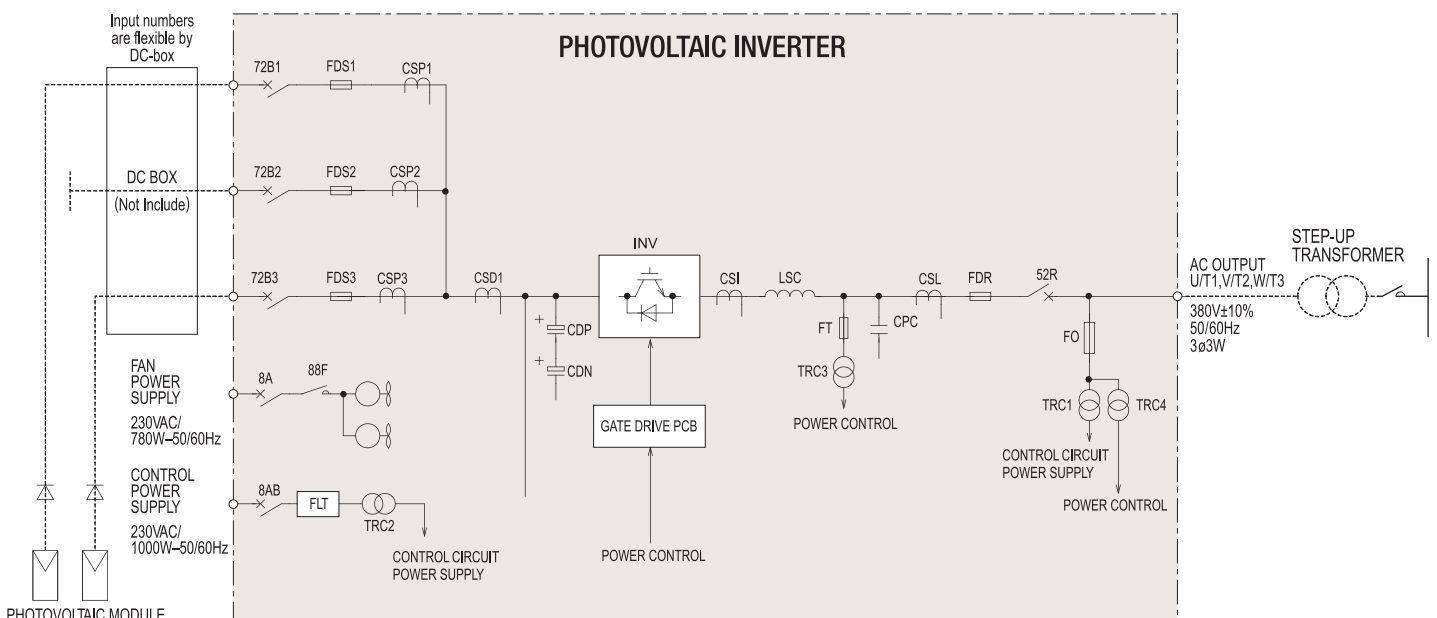
Grid connection Features

TMEiC has developed utility scale inverters with latest interconnection technology enhanced by most skilled engineers and scientists.

The features include:

- Power factor control
- Reactive/Active power control
- Fault ride through
- Voltage ride through (Low voltage ride through)
- Frequency ride through
- TMEiC's proprietary Anti-islanding technique: Slip mode frequency shift method

Single Line Diagram

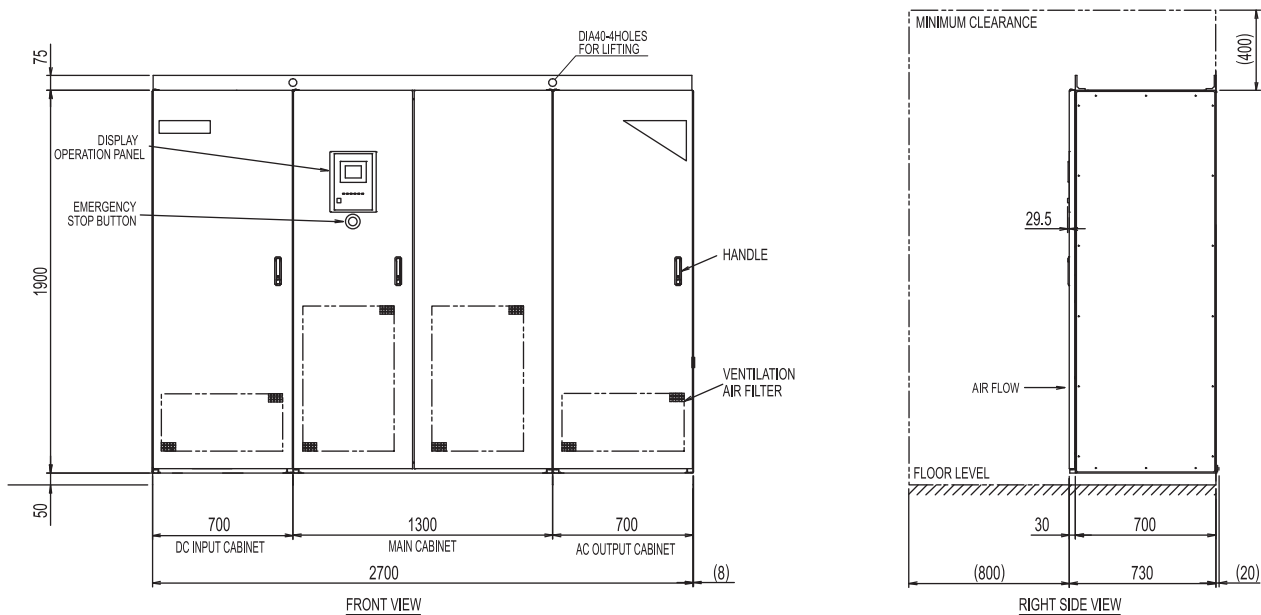


Specifications

Type	PVL-L1000E	
Input Side (DC)	Maximum DC Voltage	1000V
	MPPT Operating Range	550 ~ 950Vdc
	Maximum DC Current	1855A
Output Side (AC)	Nominal AC Output Power	1MW/1MVA
	Nominal AC Voltage	380V 3-phase, 3-wire system
	Nominal AC Frequency	50/60Hz
	Nominal AC Current	1519A
	Power Factor	+0.85 (Capacitive) ~ -0.85 (Inductive)
	Harmonic Distortion of AC Current	≤ 3% THD (Rated power)
	Maximum Efficiency	98.7%
	European Efficiency	98.3% at 550Vdc input
Environmental Conditions	Enclosure Protection Ratings	IP20 (Indoor Use)
	Relative Humidity	15% to 95% (not condensating)
	Ambient Temperature Range	-20°C to +50°C ^{*1}
	Max. Altitude Above Sea Level	2000m
Protective Functions	Input (DC) Side	Ground Fault, DC Reverse Current, Over Voltage, Over Current
	Grid (AC) Side	Anti-islanding, Over/Under Voltage, Over/Under Frequency, Over Current
User Interface	Communications	Modbus TCP
Fault Analysis	Fault Event Log, Waveform Acquisition via SD card	
Compliance	IEC standard	
Cooling Method	Forced air cooling	
Inverter Dimensions (H×W×D)	2,200mm × 2,700mm × 730mm	
Unit Weight	2,200kg	

*1: Frosting is not allowed. May need optional cabinet heating.

Outline Drawing



⚠ Precaution | Read the entire "Instruction Manual" carefully for important information about safety, handling, installation, operation.