

## TMdrive-LCLe2 Starter for Frame 7FA Gas Turbines

At TMEIC, we provide highly reliable power conversion equipment. The TMdrive-LCLe2 is a compact air-cooled load commutated inverter used to start heavy-duty gas turbine generators.

The TMdrive-LCLe2 can be applied to new or existing generators. Available in standard circuit configuration and power rating, to cover the widest variety of applications.

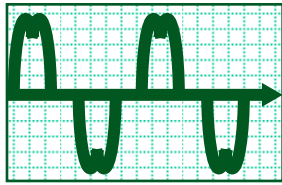


### Rating:

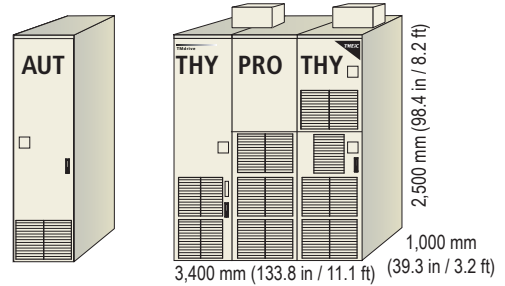
Circuit Configuration	Vin	Vout	Power
6-pulse	4200V	3800V	8.8MVA

Design Feature	Customer Benefit
Bullet-proof Reliability	TMEIC brings three decades of static starter experience in over 100 installed units totalling 500+MW. By reducing parts count, continuous development and improvement in our design, you can be assured of safety, reliability and efficiency.
Flexibility	By using a combination of input and output transformers, the TMdrive-LCLe2 is suitable for new and retrofit applications.
Maintainability	By employing a door mounted keypad and the TMdrive-Navigator software, valuable information from the system is available in an easy to read format. This allows for simplified troubleshooting and trace-back of system faults.
Performance	<ul style="list-style-type: none"> <li>• High efficiency of 98.5%</li> <li>• Sensorless start-up</li> <li>• Restart after momentary stop</li> <li>• Eliminate voltage feedback offset nulling</li> </ul>
Air-cooled Configuration	Eliminates unplanned outages and maintenance issues common to water-cooled drives.

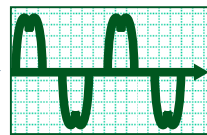
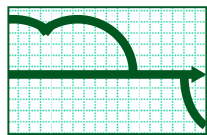
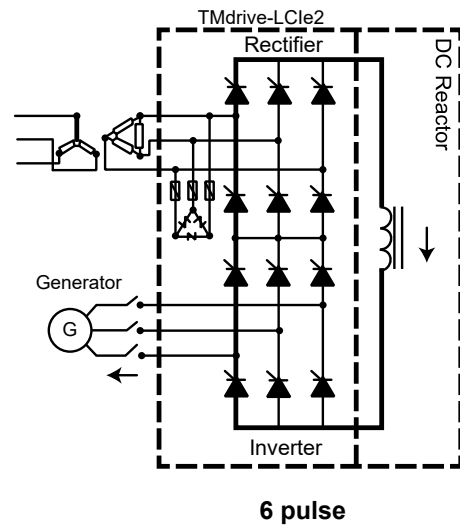
# TMdrive-LC1e2 Starter for Frame 7FA Gas Turbines



Input: system frequency



(Only Rectifier/Inverter section shown)



Output frequency synchronized with generator rota-

